

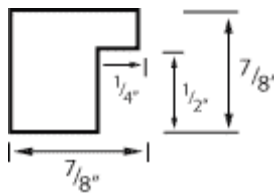
FRAMING REQUIREMENTS OF CITY OF BREA ART GALLERY

Follow the framing requirements noted in the Prospectus. You will have taken the size requirements into consideration when you selected your submission. Your framed piece must not exceed 48" in either direction and the minimum image size (showing in mat opening) cannot be less than 140 square inches.

Use only a white or off-white mat, single or double matted. No glass is allowed so use Plexiglas. The framed piece must be ready to hang with wire attached.

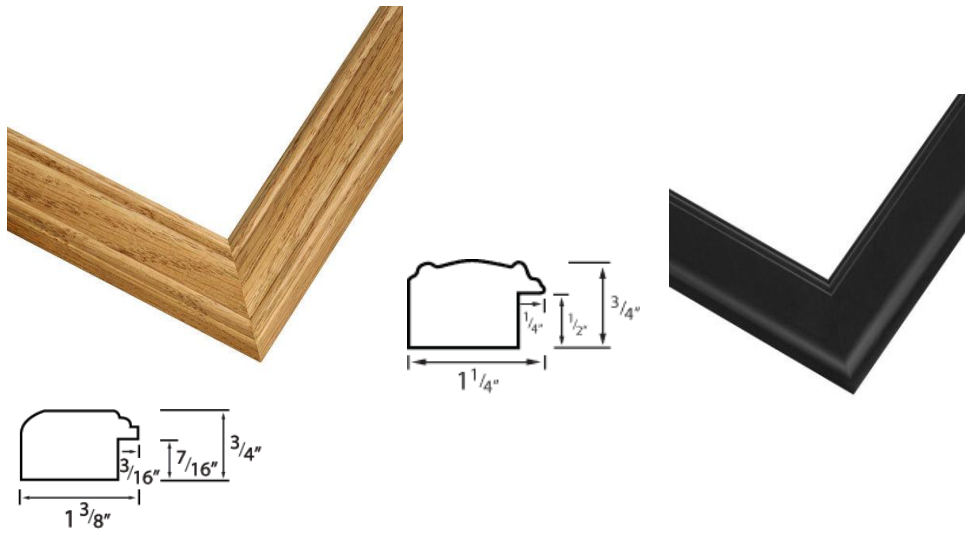
The frame you select must be plain wood or metal in black or neutral color, flat, with square corners and may be up to 1.5 inch (3.81 cm) wide. No shiny metallic frames are acceptable. See below for some examples of acceptable and unacceptable frames.

ACCEPTABLE

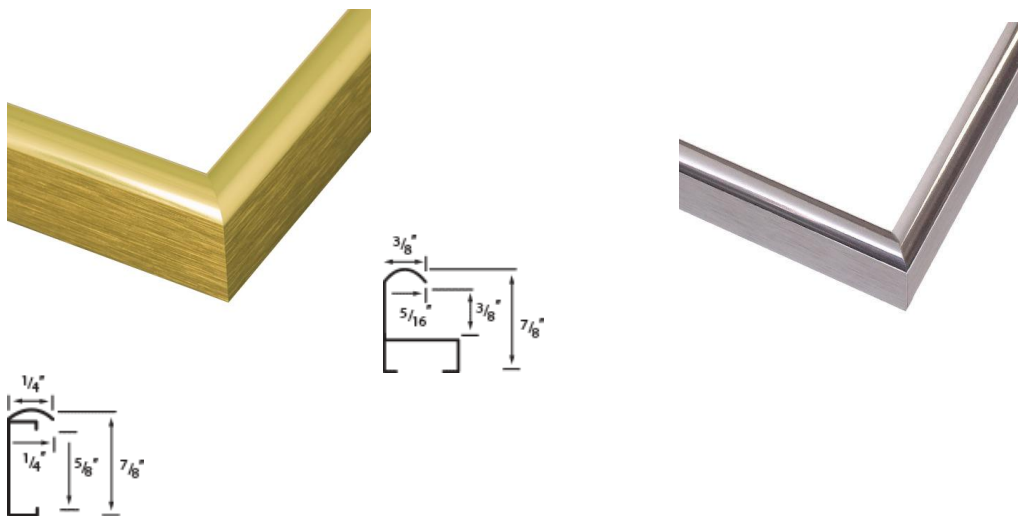


Up to 1.5" width

NOT ACCEPTABLE (top of frame not flat, too wide)



NOT ACCEPTABLE (shiny metallic finish, top of frame not flat)



NOT ACCEPTABLE (not a neutral color)

